

HDMI2.0 Extender over CAT5e/6

MPTP – T70S-H1



Milestone PRO

This product is a point-to-point HDMI extender set for HDMI V2.0 and IR signals; this kit supports 4K/UHD video@60Hz with 4:4:4 Chroma sampling, as well as HDMI data rates up to **18Gbps** and HDCP 2.2 compliant. It provides HDMI transmission up to **230ft (70 Mtr)** for 4K@60Hz 4:4: 4, or **262ft (80 Mtr)** for 1080p over single CAT5e/6 cable. It supports bi-directional IR, RS232 and 12V PoC, and automatic video resolution down-scaling.

Applications:

This unit can cater to any Boardroom, conference room, training room.

Compatibility:

Fully HDMI2.0 compliant, HDCP2.2, HDR 10, supported to ensure compatibility with latest contents, Color Space:- RGB, Rec.601 and rec.709 BT2020, HDMI Audio Format: LPCM 7.1 audio, Dolby® TrueHD, Dolby Digital® Plus, DTS:X™, and DTS-HD® Master Audio™ pass-through, **EDID Setting by 3-pin DIP Switch**. Supports bi-directional 12V PoC, only one power supply required.

Features:

- HDMI 2.0, HDCP 2.2
- 4K x 2K@60Hz 4:4:4
- Bandwidth 18 Gbps
- Distance :1080p ≤ 80m; 4K×2K ≤ 70m
- Smart EDID management
- HDMI loop out on transmitter.
- Features visually lossless compression with no latency

Inputs:

- 1 x HDMI (female) - Transmitter side
- 1 x IR IN (3.5mm jack)4 - Transmitter side
- 1 x RS232 (3 Pin captive connector)
- 1 x TP (RJ45) – Receiver side
- 1 x IR In (3.5mm jack) – Receiver side
- 1 x RS232 (3 Pin captive connector)

Output:

- 1 x TP (RJ45) – Transmitter side
- 1 x Local HDMI Out – Transmitter side
- 1 x IR Out (3.5mm jack) – Transmitter side
- 1 x HDMI (female) – Receiver side
- 1 x IR Out (3.5mm jack) – Receiver side

Power:

- Input: 100 to 240V AC,50/60Hz;Output: 12V DC 1A

Size:

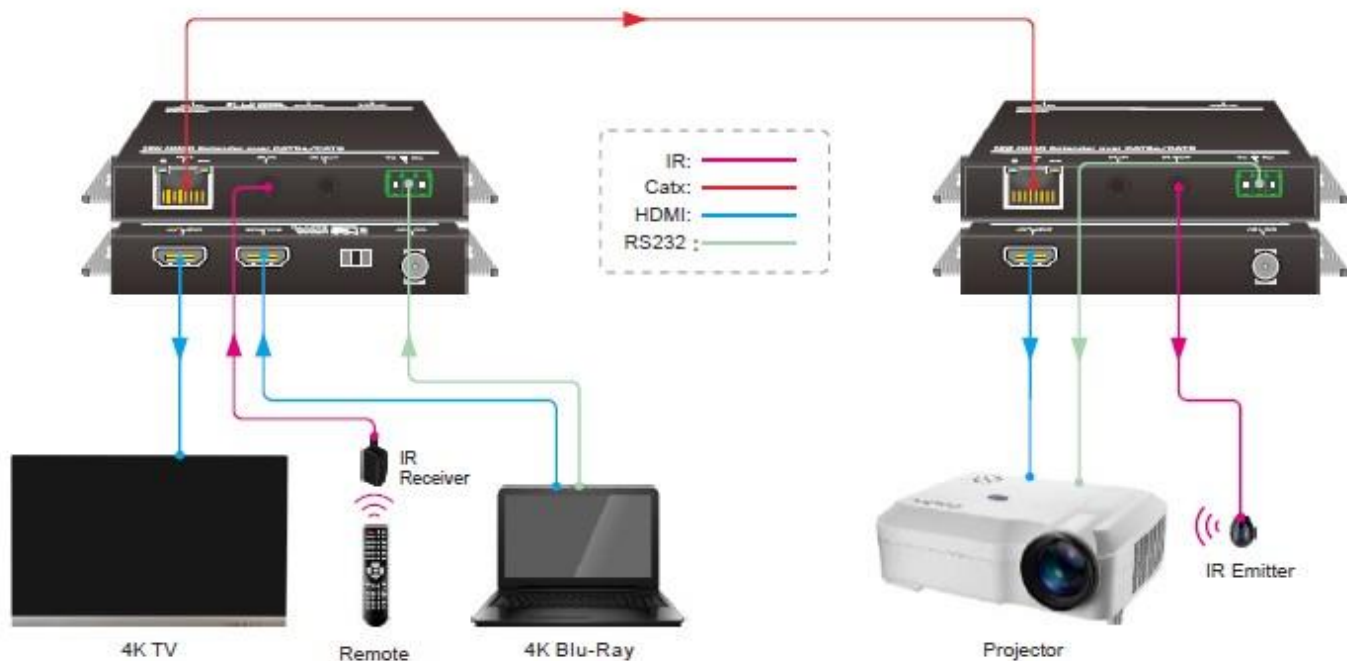
- (H/W/D) = 16mm x 100mm x 80mm

Packing:

- 1* MPTP-T70S-H1 (including TX and RX)
- 1* IR Receiver
- 1* IR Emitter
- 2* 3-Pin Terminal blocks
- 1* Power adaptor
- 1* User manual



Connectivity Diagram:



Applicable Product line

Models:

- MPTP-T60S-H2** (HDMI2.0 extender over CATx , 18G, 4K@60Hz 4:4:4,60M, HDMI loop out and bi-directional IR)
- MPTP-T70S-H2** (HDMI2.0 extender over HDBaseT 18G, HDR, HDCP2.2, 70M, two way IR, RS232, 12V POC)
- MPTP-T70SC-H2** (HDMI2.0 set over HDBT for HDMI,IR,RS232 with ARC,70m,support Scaler& test pattern function)
- MPTP-T100SS-H2** (HDMI2.0 over HDBaseT set, 4K, HDCP 2.2, 100m, HDMI, IR & RS232, 2 Ethernet, two way PoH)
- MPTP-T-101US** (HDMI over HDBaseT set, 4K, HDCP 2.2, 100m, HDMI, USB 2.0,RS232 with 3 USB OUT)
- MPTP-T70HDV** (HDMI, DVI,VGA(3 to 1) HDBT Tx & HDBT Rx (1 to 3)with HDMI, DVI, VGA, 1080p)
- MPTP-T70-WPT** (HDBT wall plate Tx, 4K, HDCP 2.2, 70m, HDMI, VGA, IR & RS232, PoC, Select Switch)
- MPTP-T100RPT** (HDBT Repeater, 4K, HDCP 2.2, 100m, IN--1 HDBT ,OUT--1 HDBT,2 HDMI,1 AUDIO)
- MP-HD-WL11** (HDMI 1.4 WIRELESS Extender, up to 1920*1080P 427ft/130m)



Ultra-thin HDMI2.0 HDBaseT Extender

MPTP – T70S-H2



Milestone PRO

This product is an ultra-thin HDMI2.0 Extender consist of transmitter and receiver. It extends 1080p/4K HDMI signal over CAT5e/CAT6a cable up to 70m /40m (PoC), and enables IR and RS232 pass-through to control source or display device remotely. It also adopt a visually lossless video compression technology (VLC) to ensure the HD lossless transmission of HDR and **4K@60Hz/4:4:4** over CAT5e/CAT6a cable

Applications:

This unit can cater to any Boardroom, conference room, training room.

Compatibility:

Fully HDMI2.0 compliant, HDCP2.2 supported to ensure compatibility with latest contents, **Video lossless compression (VLC)** enables 4K/60 HDR extension up to 131ft/40m over HDBaseT, **IR & RS232 pass-through, Two-way PoC.**

Features:

- HDMI 2.0, HDCP 2.2
- 4K×2K@60Hz 4:4:4
- Bandwidth 18 Gbps
- Distance :1080p ≤ 70m; 4K×2K ≤ 40m

Inputs:

- 1 x HDMI (female) - Transmitter Side
- 1 x IR IN (3.5mm jack) - Transmitter Side
- 1 x RS232 (3 Pin captive connector)
- 1 x TP (RJ45) – Receiver side
- 1 x IR In (3.5mm jack) – Receiver side
- 1 x RS232 (3 Pin captive connector)

Output:

- 1 x TP (RJ45) – Transmitter side
- 1 x IR Out (3.5mm jack) – Transmitter side
- 1 x HDMI (female) – Receiver side
- 1 x IR Out (3.5mm jack) – Receiver side

Power:

- DC 12V 2A

Size:

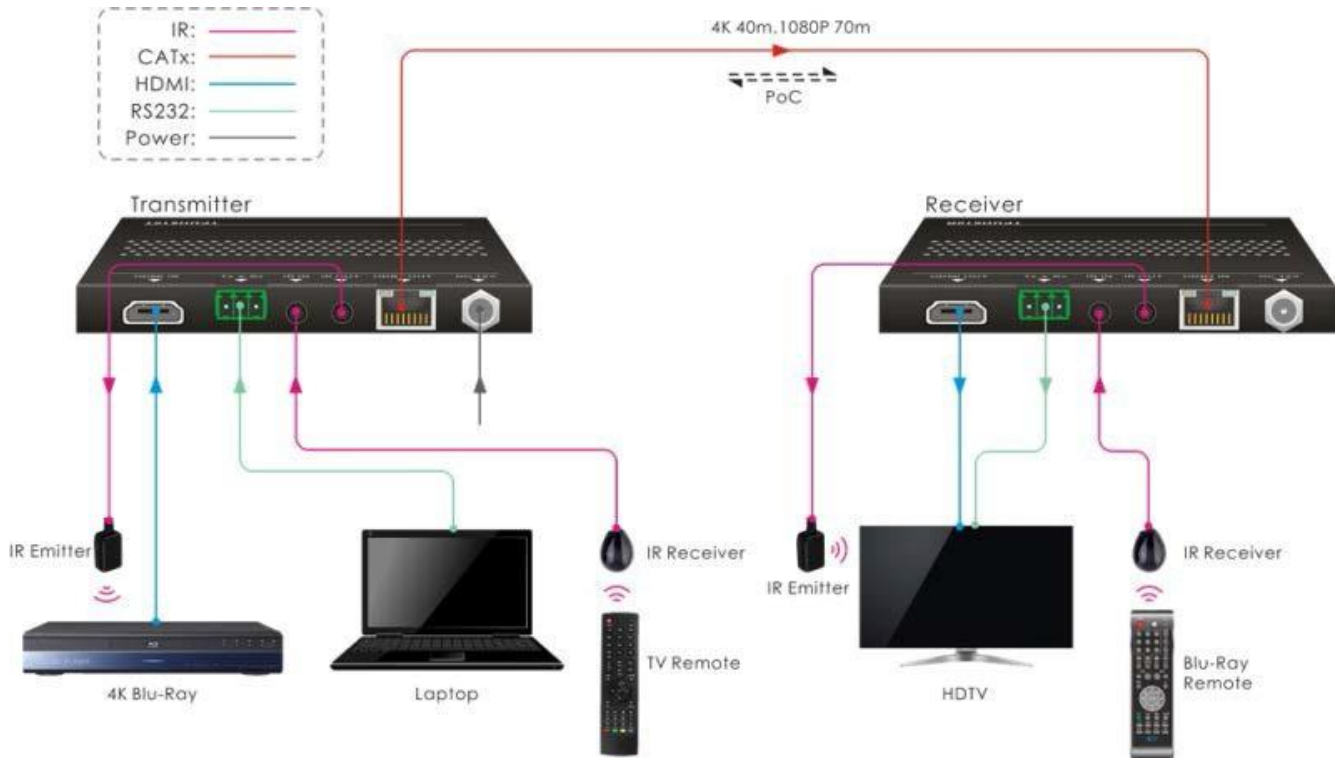
- (H/W/D) = 12mm x 115mm x 84mm

Packing:

- 1* MPTP-T70S-H2 (including TX and RX)
- 4* Mounting brackets with Screws
- 8* Plastic cushions
- 1* RS232 cable
- 2* 3-Pin Phoenix Connector
- 1* Power adaptor
- 1* User manual



Connectivity Diagram:



Applicable Product line

Models:

- MPTPT70S-H1** (HDMI 2.0 extender over Cat6 4K @60Hz,4:4:4,18G, 70m, Bi-direction IR, RS232 & 12V POC)
- MPTP-T70S-H2T** (HDMI 2.0 Transmitter over HDBaseT 18G, HDR, HDCP2.2, 70M, two way IR, RS232, 12V POC)
- MPTP-T70SC-H2** (HDMI2.0 set over HDBT for HDMI,IR,RS232 with ARC,70m,support Scaler& test pattern function)
- MPTP-T100SS-H2** (HDMI2.0 over HDBaseT set, 4K, HDCP 2.2, 100m, HDMI, IR & RS232, 2 Ethernet, two way PoH)
- MPTP-T-101US** (HDMI over HDBaseT set, 4K, HDCP 2.2, 100m, HDMI, USB 2.0,RS232 with 3 USB OUT)
- MPTP-T70-HDV** (HDMI, DVI,VGA(3 to 1) HDBT Tx & HDBT Rx (1 to 3)with HDMI, DVI, VGA, 1080p)
- MPTP-T70-WPT** (HDBT wall plate Tx, 4K, HDCP 2.2, 70m, HDMI, VGA, IR & RS232, PoC, Select Switch)
- MPTP-T70-WPR** (HDBT wall plate Rx, 4K, HDCP 2.2, 70m, HDMI, IR & RS232, PoC)
- MPTP-T100RPT** (HDBT Repeater, 4K, HDCP 2.2, 100m, IN--1 HDBT ,OUT--1 HDBT,2 HDMI,1 AUDIO)



HDMI2.0 HDBaseT Extender

MPTP – T70SC-H2



Milestone PRO

MPTP-T70SC-H2 is a HDMI 2.0 Extender , which consists of a transmitter and a receiver. It supports audio de embedded and ARC. It also supports bidirectional IR and RS232 pass through to control source or display device remotely. PoC feature allows the transmitter and the receiver can be powered from each other and only one power adapter is needed in system.

Applications:

This unit can cater to any Boardroom, conference room, training room.

Compatibility:

Fully HDMI2.0 compliant, HDCP2.2 supported, Supports video resolution up scaling, the 1080P input can be automatically upgraded to 4K output, Test pattern provides a built in 4K/1080P image for troubleshooting., SPDIF out on receiver for source audio de embedding. Bidirectional IR ,RS232 and 24V PoC.

Features:

- 4K×2K@60Hz 4:4:4, HDR
- Support ARC, CEC
- Bandwidth 18 Gbps
- Advanced EDID Management
- Distance :1080p ≤ 70m; 4K×2K ≤ 40m

Inputs:

- 1 x HDMI (female) - Transmitter Side
- 1 x IR IN (3.5mm jack)4 - Transmitter Side
- 1 x RS232 (3 Pin captive connector)
- 1 x TP (RJ45) – Receiver side
- 1 x IR In (3.5mm jack) – Receiver side
- 1 x RS232 (3 Pin captive connector)
- 1 x ARC Audio IN (Toslink Connector) - Receiver

Output:

- 1 x TP (RJ45) – Transmitter side
- 1 x IR Out (3.5mm jack) – Transmitter side
- 1 x HDMI (female) – Receiver side
- 1 x IR Out (3.5mm jack) – Receiver side
- 1 X ARC Out (Toslink Connector) – Tx Side
- 1 X Audio Breakout (Toslink Connector) – Rx Side

Power:

- DC 24V , 1.25A

Size:

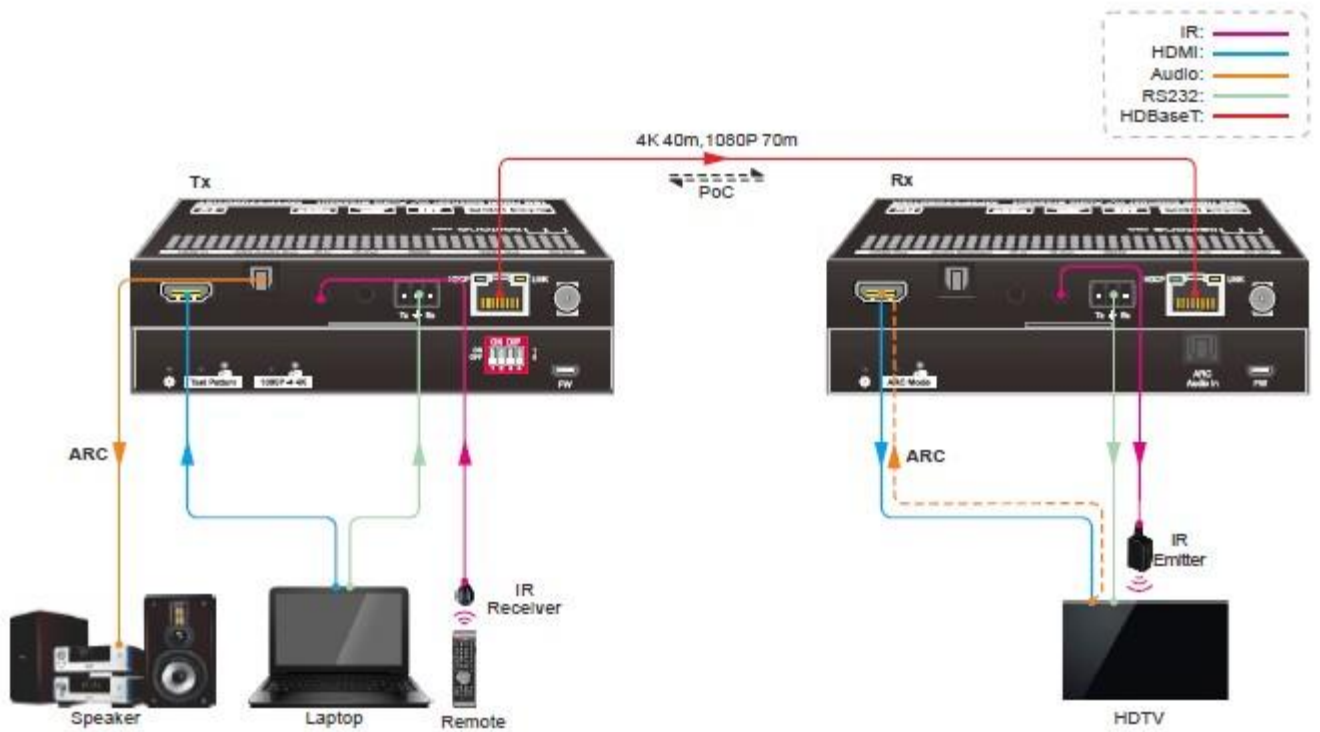
- (H/W/D) = 19.5mm x 140mm x 84mm

Packing:

- 1* MPTP-T70SC-H2 (including TX and RX)
- 4* Mounting brackets with Screws
- 8* Plastic cushions
- 1* RS232 cable
- 2* 3-Pin Phoenix Connector
- 1* Power adaptor
- 1* User manual



Connectivity Diagram:



Applicable Product line

Models:

- MPTP-T70S-H1** (HDMI 2.0 extender over Cat6 4K @60Hz,4:4:4,18G, 70m, Bi-direction IR, RS232 & 12V POC)
- MPTP-T70S-H2** (HDMI 2.0 over HDBaseT, 18G ,HDR, HDCP2.2, 70M, two way IR, RS232, 12V POC,slim design)
- MPTP-T70S-H2T** (HDMI 2.0 Transmitter over HDBaseT 18G, HDR, HDCP2.2, 70M, two way IR, RS232, 12V POC)
- MPTP-T100SS-H2** (HDMI 2.0 over HDBaseT set, 4K, HDCP 2.2, 100m, HDMI, IR & RS232, 2 Ethernet, two way PoH)
- MPTP-T-101US** (HDMI over HDBaseT set, 4K, HDCP 2.2, 100m, HDMI, USB 2.0,RS232 with 3 USB OUT)
- MPTP-T70-HDV** (HDMI, DVI,VGA(3 to 1) HDBT Tx & HDBT Rx (1 to 3)with HDMI, DVI, VGA, 1080p)
- MPTP-T70-WPT** (HDBT wall plate Tx, 4K, HDCP 2.2, 70m, HDMI, VGA, IR & RS232, PoC, Select Switch)
- MPTP-T70-WPR** (HDBT wall plate Rx, 4K, HDCP 2.2, 70m, HDMI, IR & RS232, PoC)
- MPTP-T100RPT** (HDBT Repeater, 4K, HDCP 2.2, 100m, IN--1 HDBT ,OUT--1 HDBT ,2 HDMI,1 AUDIO)



4K HDBaseT Extender 1-HDMI | 1- DVI | 1-VGA

MPTP-T70HDV



MPTP-T70HDV is an HDBaseT Transceiver Set which contains a Transmitter and a Receiver . It uses HDBaseT Technology to deliver **HDMI/DVI/VGA signal, and the max transmission is up to 70m.** Moreover, bi- directional RS232 control, IR pass-through control and PoC are this product. MPTP-T70HDV has a good application in various occasions, such as computer realm, monitoring, big screen displaying, meeting room, education and bank & securities institution etc..

Applications:

This unit can cater to any Boardroom, conference room, training room, huddle room or a small meeting room.

Compatibility:

Compliant with HDCP2.2, Switches HDMI/DP/DVI/VGA input signals to HDBaseT output, DVI/VGA to HDBaseT Output resolution selectable Supprt HDBT2.0 , **transmit 4Kx2K signal up tp 100m via single CAT5e/CAT6**, Controlled via Front-panel button, IR and bi-directional RS-232, support advanced EDID management.



Milestone PRO

Features:

- HDMI 1.4, HDCP 1.2,
- Output support 4Kx2K, 1080p
- Support online software upgrading
- Control via RS232 and IR
- In-built EDID management
- bandwidth 10.2 Gbps
- Support VGA, CVBS, YPbPr

Inputs:

- 1 x HDMI (female) – Transmitter
- 1 x DVI (Female DVI-I) – Transmitter
- 1 x VGA (DB-15 Pin) – Transmitter
- 1 x Audio (3.5mm jack) – Transmitter
- 1 x HDBT (RJ-45) – Receiver

Output:

- 1 x HDBT (RJ-45) – Transmitter
- 1 x HDMI (female) – Receiver
- 1 x DVI (Female DVI-I) – Receiver
- 1 x VGA (DB-15 Pin) – Receiver
- 1 x 3.5mm mini jack (stereo audio) – Receiver

Power:

- DC 24V, 1.25A

Size:

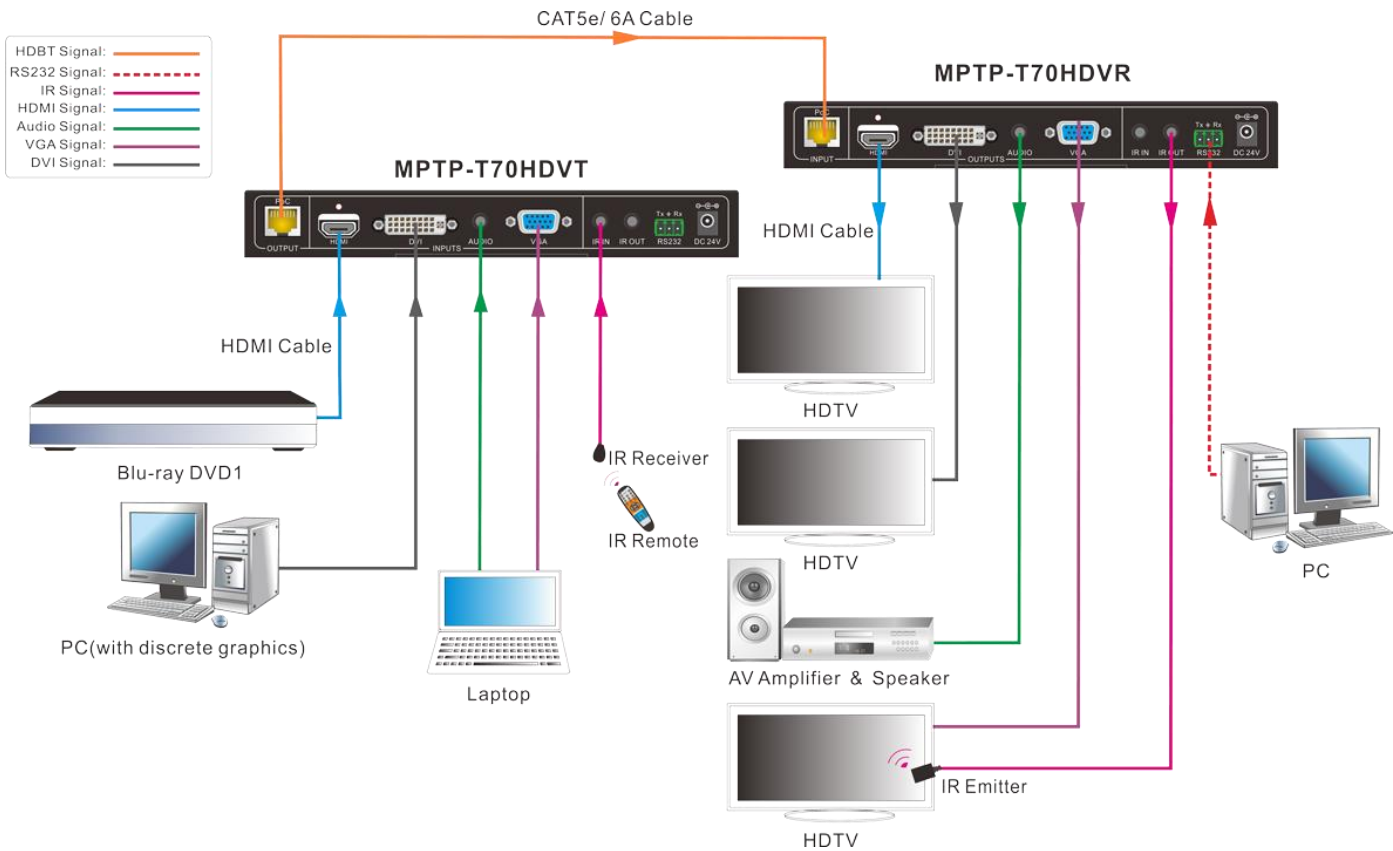
- (H/W/D) = 30mm x 220mm x 100mm

Packing:

- 1* Transmitter (MPTP-T70HDVT)
- 1* Receiver(MPTP-T70HDVR)
- 4* Mounting Ears
- 8* Screws
- 2* RS232 Cable
- 8* Rubberfeet
- 1* Power adaptor (DC24V, 1.25A)
- 1* Usermanual



Connectivity Diagram:



Applicable Product line

Models:

- MPTP-T60S-H2** (HDMI 2.0 extender over CATx set , 18G, 4K@60HZ 4:4:4,HDR, HDCP2.2, 60M, HDMI loop out)
- MPTP-T70S-H1** (HDMI 2.0 extender over Cat6 4K @60Hz,4:4:4,18G, 70m, Bi-direction IR, RS232 & 12V POC)
- MPTP-T70S-H2** (HDMI 2.0 over HDBaseT, 18G ,HDR, HDCP2.2, 70M, two way IR, RS232, 12V POC,slim design)
- MPTP-T70S-H2T** (HDMI 2.0 Transmitter over HDBaseT 18G, HDR, HDCP2.2, 70M, two way IR, RS232, 12V POC)
- MPTP-T100SS-H2** (HDMI2.0 over HDBaseT,18G,HDR,HDCP2.2,100m,two way IR,RS232,2 way 24v POC,2ethernet)
- MPTP-T101-US** (HDMI over HDBaseT set, 4K, HDCP 2.2, 100m, HDMI, USB 2.0,RS232 with 3 USB OUT)
- MPTP-T70-WPT** (HDBT wall plate Tx, 4K, HDCP 2.2, 70m, HDMI, VGA, IR & RS232, PoC, Select Switch)
- MPTP-T70-WPR** (HDBT wall plate Rx, 4K, HDCP 2.2, 70m, HDMI, IR & RS232, PoC)
- MPTP-T100RPT** (HDBT Repeater, 4K, HDCP 2.2, 100m, IN--1 HDBT ,OUT--1 HDBT,2 HDMI,1 AUDIO)



Wall mounted HDBaseT Transmitter

MPTP-T70WPT-4K



This product is MPTP-T70-WPT is a 2 gang Decora style wall-mountable HDBaseT transmitter for HDMI or VGA/audio and RS232 at 230ft (70m) Transmission with PoC function. It Supports Auto-switching or button panel control between the inputs.

Applications:

This unit can cater to any Boardroom, conference room, training room, huddle room or a small meeting room.

Compatibility:

Integrated with HDBaseT technology, Supports 230 ft (70m) transmission with PoC function, HDMI or VGA with audio input, selectable, Built in scaling function, output resolution up to 4K, Auto switching or button manual control between input sources, LEDs for status checking & USB for firmware update, Aluminum design for elegant & nice cooling.



Milestone PRO

Features:

- Support HDMI 4K
- HDCP compliant.
- Up to 1080P for VGA
- bandwidth 10.2 Gbps
- Plug and play

Inputs:

- 1 x HDMI (Type A Receptacle)
- 1 x VGA Audio (15 Pin D-Sub + 3.5mm mini Jack)
- 1 x RS232 (3Pin captive screw connector)

Output:

- 1 x HDBaseT (RJ-45)

Power:

- DC 12V, 1A

Size:

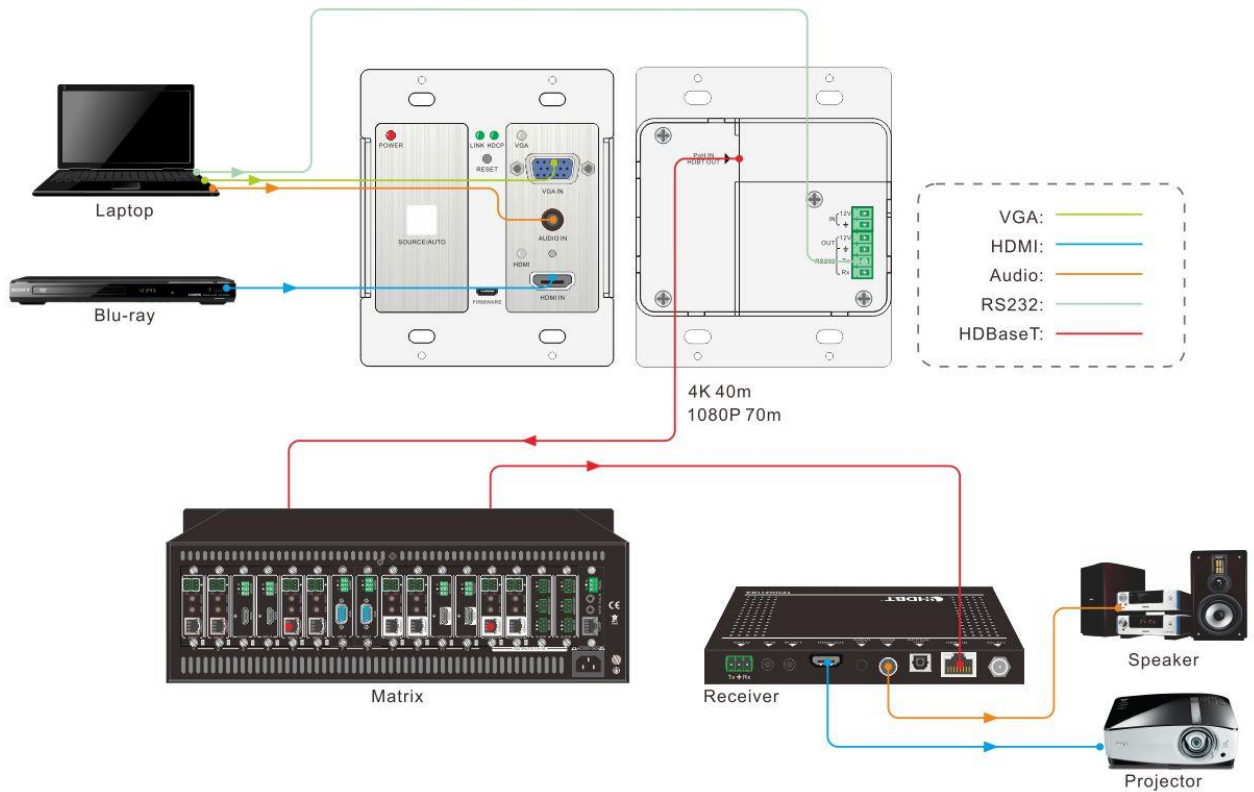
- Decora style two gang

Packing:

- 1* MP-TP-T70WPT
- 2* Mounting ears
- 4* Screws
- 1* Faceplate
- 1* Power adaptor
- 1* User manual



Connectivity Diagram:



Applicable Product line

Models:

- MPTP-T60S-H2** (HDMI 2.0 extender over CATx set , 18G, 4K@60HZ 4:4:4,HDR, HDCP2.2, 60M, HDMI loop out)
- MPTP-T70S-H1** (HDMI 2.0 extender over Cat6 4K @60Hz,4:4:4,18G, 70m, Bi-direction IR, RS232 & 12V POC)
- MPTP-T70S-H2** (HDMI 2.0 over HDBaseT, 18G ,HDR, HDCP2.2, 70M, two way IR, RS232, 12V POC,slim design)
- MPTP-T70S-H2T** (HDMI 2.0 Transmitter over HDBaseT 18G, HDR, HDCP2.2, 70M, two way IR, RS232, 12V POC)
- MPTP-T70-HDV** (HDMI, DVI,VGA(3 to 1) HDBT Tx & HDBT Rx (1 to 3)with HDMI, DVI, VGA, 1080p)
- MPTP-T100SS-H2** (HDMI2.0 over HDBaseT,18G,HDR,HDCP2.2,100m,two way IR,RS232,2 way 24v POC,2ethernet)
- MPTP-T101-US** (HDMI over HDBaseT set, 4K, HDCP 2.2, 100m, HDMI, USB 2.0,RS232 with 3 USB OUT)
- MPTP-T70-WPR** (HDBT wall plate Rx, 4K, HDCP 2.2, 70m, HDMI, IR & RS232, PoC)
- MPTP-T100RPT** (HDBT Repeater, 4K, HDCP 2.2, 100m, IN--1 HDBT ,OUT--1 HDBT,2 HDMI,1 AUDIO)



Slim HDBaseT Receiver

MPTP-T70SRA



milestone PRO

This product is an ultra-thin **HDBaseT Receiver** designed with three audio de-embedded outputs including **Optical, Coaxial and Stereo**. It receives 4K/1080P HDMI signal via CATx cable from HDBaseT transmitter or matrix switcher at 40m/70m.

Applications:

This unit can cater to any Boardroom, conference room, training room, huddle room or a small meeting room.

Compatibility:

HDBaseT integrated on output to transmit 4K 131ft/40m and 1080P 230ft/70m, Supports HDMI1.4 & HDCP2.2 and is backward compatible to the previous version, Optical, Coaxial and Stereo audio de-embedding, **IR & RS232** pass through, **Ultra-thin aluminium chassis**.

Features:

- HDCP 2.2 compliant.
- Support HDMI 1.4
- Bi-direction PoH
- Supports audio de-embedded outputs.

Inputs:

- 1 x HDBT (RJ45)
- 1 x IR (3.5mm)

Output:

- 1 x HDMI
- 1 x IR (3.5mm)
- 1 x Stereo Audio (3.5 mm)
- 1 x COAX
- 1 x Digital (Toslink)

Power:

- DC 12V, 1A

Size:

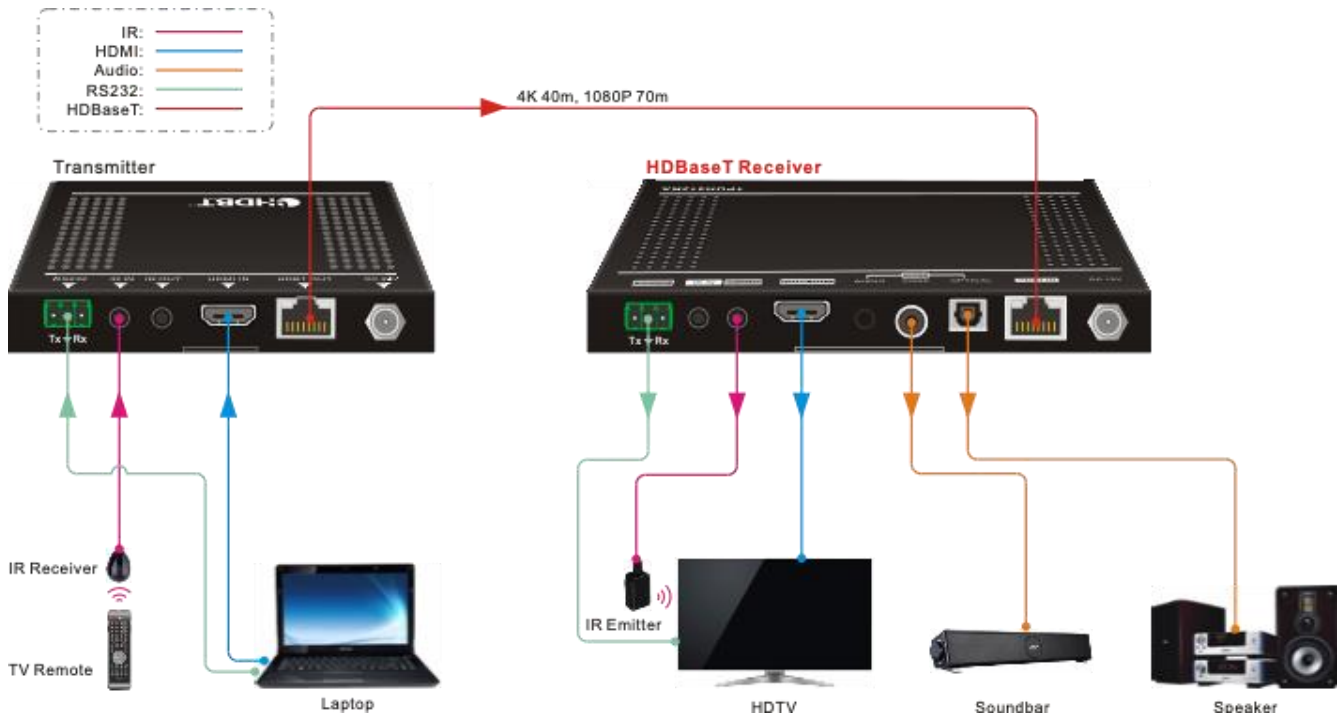
- (H/W/D) = 16.2mm x 152mm x 100mm

Packing:

- 1* MPTP-T70SRA
- 2* Mounting ears
- 2* Screws
- 4* Plastic cushions
- 1* 3-Pin Phoenix Connector
- 1* User manual



Connectivity Diagram:



Applicable Product line

Models:

- MPTP-T60S-H2** (HDMI 2.0 extender over CATx set , 18G, 4K@60HZ 4:4:4,HDR, HDCP2.2, 60M, HDMI loop out)
- MPTP-T70S-H1** (HDMI 2.0 extender over Cat6 4K @60Hz,4:4:4,18G, 70m, Bi-direction IR, RS232 & 12V POC)
- MPTP-T70S-H2** (HDMI 2.0 over HDBaseT, 18G ,HDR, HDCP2.2, 70M, two way IR, RS232, 12V POC,slim design)
- MPTP-T70S-H2T** (HDMI 2.0 Transmitter over HDBaseT 18G, HDR, HDCP2.2, 70M, two way IR, RS232, 12V POC)
- MPTP-T70-HDV** (HDMI, DVI,VGA(3 to 1) HDBT Tx & HDBT Rx (1 to 3)with HDMI, DVI, VGA, 1080p)
- MPTP-T100SS-H2** (HDMI2.0 over HDBaseT,18G,HDR,HDCP2.2,100m,two way IR,RS232,2 way 24v POC,2ethernet)
- MPTP-T101-US** (HDMI over HDBaseT set, 4K, HDCP 2.2, 100m, HDMI, USB 2.0,RS232 with 3 USB OUT)
- MPTP-T70-WPR** (HDBT wall plate Rx, 4K, HDCP 2.2, 70m, HDMI, IR & RS232, PoC)
- MPTP-T100RPT** (HDBT Repeater, 4K, HDCP 2.2, 100m, IN--1 HDBT ,OUT--1 HDBT,2 HDMI,1 AUDIO)



Ultra-thin HDBaseT Extender

MPTP – 100SS-H2



MPTP-T100SS-H2 is a **HDMI 2.0** HDBaseT Extender set consist of transmitter and receiver. It extends 1080p HDMI signal via CAT5e/6a cable at 100m/PoC , and enables IR and RS232 pass through to control local source device from remote or far end display It also features 4 Ethernet ports for network extension.

Applications:

This unit can cater to any Boardroom, conference room, training room, huddle room, home theatre.

Compatibility :

The highest resolution is **4Kx2K/60Hz**, **HDCP2.2 compliant**, HDR, Maximum transmission distance is up to 70m for 4Kx2K, 100m for 1080p, Maximum extension distance is up to **100m for Ethernet**, Support bi-directional PoC, High bandwidth : 18 Gbps, **Support IR & RS232 pass through**, Features DIP switch for choosing RS232 mode: Control or Update.

Features:

- HDMI 2.0, HDCP 2.2
- 4Kx2K@60Hz (Max.)
- Bandwidth 18 Gbps
- Distance : 1080P ≤ 100m, 4K x 2K ≤ 70m

Inputs:

- 1 x HDMI (female) - Transmitter Side
- 1 x IR IN (3.5mm jack)4 - Transmitter Side
- 1 x RS232 (3 Pin captive connector)
- 1 x TP (RJ45) – Receiver side
- 1 x IR In (3.5mm jack) – Receiver side
- 1 x RS232 (3 Pin captive connector)

Output:

- 1 x TP (RJ45) – Transmitter side
- 1 x IR Out (3.5mm jack) – Transmitter side
- 1 x HDMI (female) – Receiver side
- 1 x IR Out (3.5mm jack) – Receiver side

Power:

- DC 24V 1.25A

Size:

- (H/W/D) = 16.2mm x 152mm x 104mm

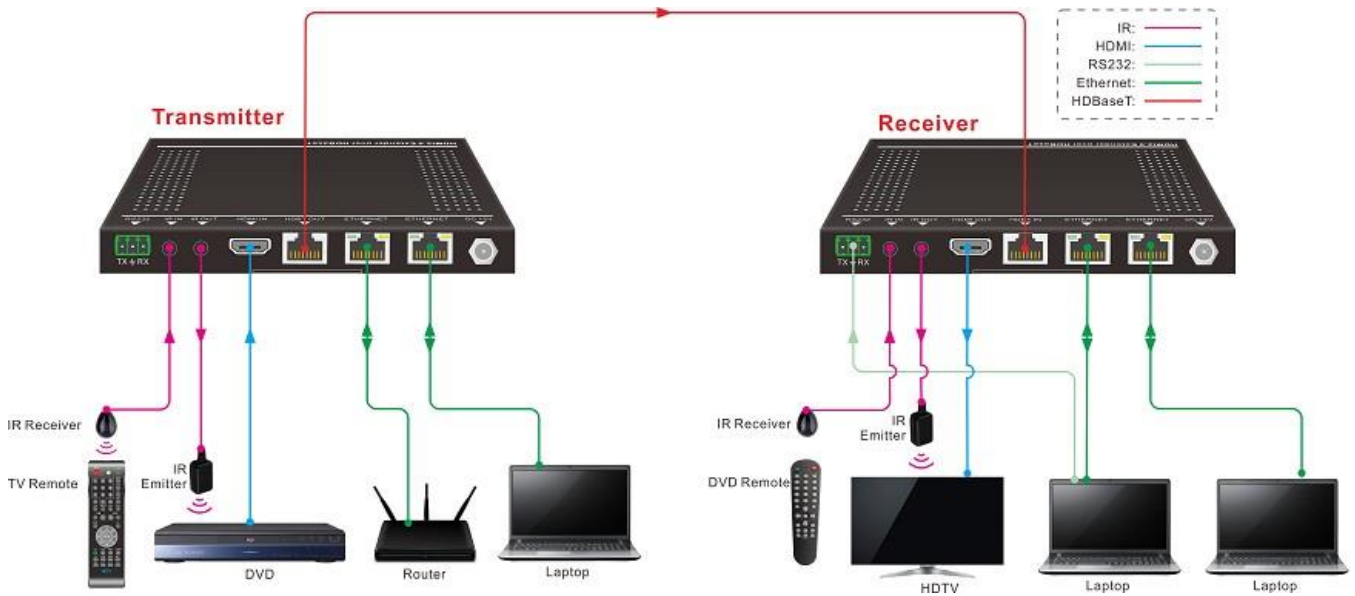
Packing:

- 1* MPTP-T100SS-H2 (including TX and RX)
- 4* Mounting ears
- 4* Screw
- 8* Black plastic cushions
- 2* RS232 cables
- 1* Power adaptor
- 1* User manual

Milestone PRO



Connectivity Diagram:



Applicable Product line

Models:

- MPTP-T60S-H2** (HDMI 2.0 over CATx set, 4K/1080P, 70M, HDMI loop out and bi-directional IR)
- MPTP-T70S-H1** (HDMI 2.0 extender over Cat6 4K @60Hz,4:4:4,18G, 70m, Bi-direction IR, RS232 & 12V POC)
- MPTP-T70S-H2** (HDMI 2.0 over HDBaseT, 18G ,HDR, HDCP2.2, 70M, two way IR, RS232, 12V POC, slim design)
- MPTP-T70S-H2T** (HDMI 2.0 Transmitter over HDBaseT 18G, HDR, HDCP2.2, 70M, two way IR, RS232, 12V POC)
- MPTP-T70-HDV** (HDMI, DVI,VGA(3 to 1) HDBT Tx & HDBT Rx (1 to 3)with HDMI, DVI, VGA, 1080p)
- MPTP-T-101US** (HDMI over HDBaseT set, 4K, HDCP 2.2, 100m, HDMI, USB 2.0,RS232 with 3 USB OUT)
- MPTP-T70-WPT** (HDBT wall plate Tx, 4K, HDCP 2.2, 70m, HDMI, VGA, IR & RS232, PoC, Select Switch)
- MPTP-T70-WPR** (HDBT wall plate Rx, 4K, HDCP 2.2, 70m, HDMI, IR & RS232, PoC)
- MPTP-T100RPT** (HDBT Repeater, 4K, HDCP 2.2, 100m, IN--1 HDBT ,OUT--1 HDBT,2 HDMI,1 AUDIO)



HDBaseT Repeater

MPTP – T100RPT



This is designed to extend the signal transmission distance of Matrix system and our Extender sets by **repeating the HDBaseT signals up to 4K@70m & 1080p@100m over CAT5e/6/7 cable for each unit**. User can connect up to 6 repeaters for each output by daisy chain connection. For instance, 4K HDBaseT 8x8 Matrix Switcher which has 8 HDBT outputs, can connect with up to 48 repeaters in the system.

Applications:

This unit can cater to any Boardroom, conference room, training room, huddle room, home theatre.

Compatibility:

HDCP2.2 compliant, input & output video resolution can up to 4Kx2K@60Hz 4:2:0, **Supports all-known HDMI audio formats including Dolby True HD, Dolby-Atmos, Dolby Digital Plus and DTS-HD Master Audio**, Supports cascading, at least 6 units can be looped within the same operation system, ID PRESET switcher is designed for assigning the Unit ID, Supports input signal de-embedding, With two RS232 ports, supports point-to-point, one-to-many and one-to-all RS232 control.



Features:

- Max resolution is up to 4Kx2K/60Hz 4:2:0
- Support CEC
- Input compatible with HDCP 2.2
- Output compatible with HDCP 1.4
- Support Embedded Audio Signals PCM/Dolby/DTS
- Output Analog Audio Signal Supports PCM
- Distance : 1080P ≤ 100m, 4K x 2K ≤ 70m

Inputs:

- 1 x HDBT (RJ45 Receptacle)

Output:

- 1 x HDBT (RJ45 Receptacle)
- 2 x HDMI (3.5mm jack)
- 1 x Audio (3 Pin phoenix connector)

Control port:

- 2 x RS232 (3 Pin captive connector: Bidirectional)

Power:

- DC 12V, 2A

Size:

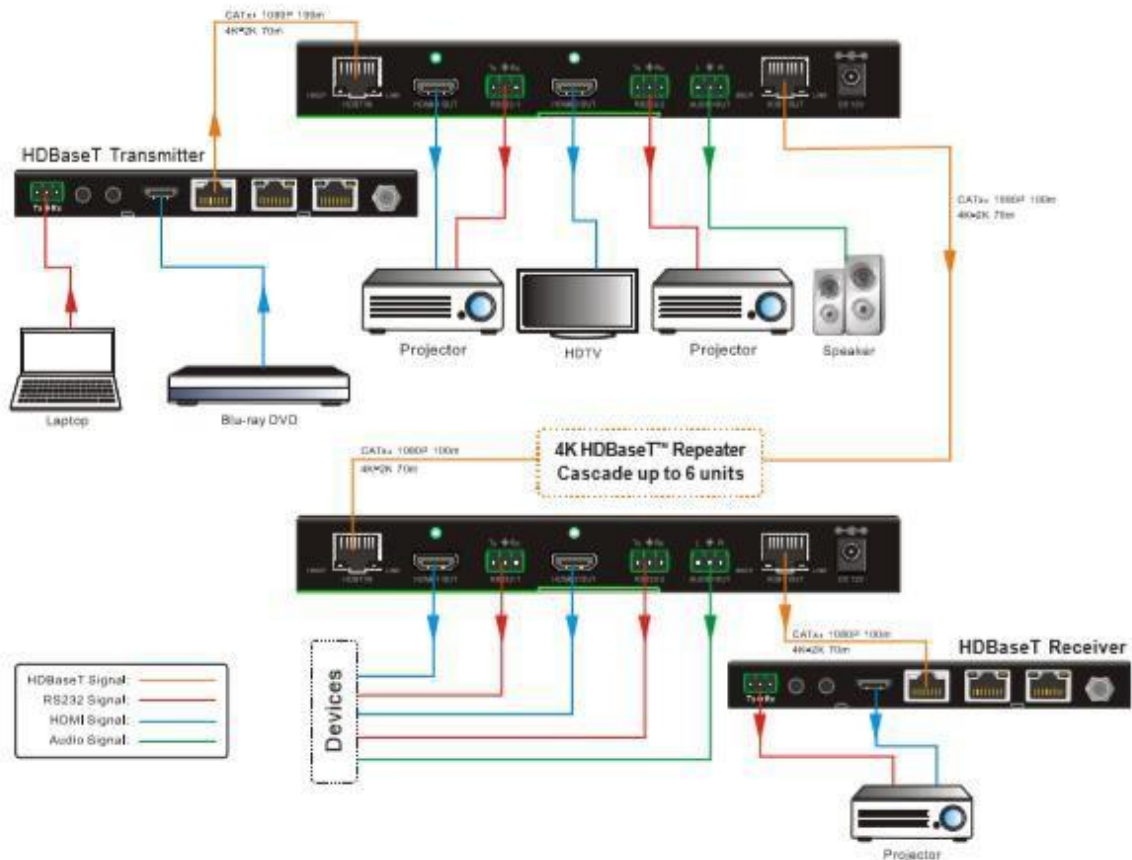
- (H/W/D) = 25mm x 200mm x 100mm

Packing:

- 1* MPTP-T100RPT
- 2* Mounting brackets
- 4* Screw
- 3* 3-Pin phoenix connector
- 4* Plastic cushions
- 1* Power adaptor
- 1* User manual



Connectivity Diagram:



Applicable Product line

Models:

- MPTP-T60S-H2** (HDMI extender over CATx set, 1080P, 55M, HDMI loop out and bi-directional IR)
- MPTP-T70S-H1** (HDMI 2.0 extender over Cat6 4K @60Hz,4:4:4,18G, 70m, Bi-direction IR, RS232 & 12V POC)
- MPTP-T70S-H2** (HDMI 2.0 over HDBaseT, 18G, HDR, HDCP2.2, 70M, two way IR, RS232, 12V POC, slim design)
- MPTP-T70S-H2T** (HDMI2.0 Transmitter over HDBaseT 18G, HDR, HDCP2.2, 70M, two way IR, RS232, 12V POC)
- MPTP-T100SS-H2**(HDMI2.0 over HDBaseT,18G,HDR,HDCP2.2,100m,two way IR,RS232,2 way 24v POC,2ethernet)
- MPTP-T-101US** (HDMI over HDBaseT set, 4K, HDCP 2.2, 100m, HDMI, USB 2.0,RS232 with 3 USB OUT)
- MPTP-T70HDV** (HDMI, DVI,VGA(3 to 1) HDBT Tx & HDBT Rx (1 to 3)with HDMI, DVI, VGA, 1080p)
- MPTP-T70-WPT** (HDBT wall plate Tx, 4K, HDCP 2.2, 70m, HDMI, VGA, IR & RS232, PoC, Select Switch)
- MPTP-T70-WPR** (HDBT wall plate Rx, 4K, HDCP 2.2, 70m, HDMI, IR & RS232, PoC)



HDBT KVM Extender

MPTP –T-101US



MPTP-T-101US is a 4K HDMI Extender set developed with the latest HDBase™ 2.0 technology to extend **uncompressed HDMI video, audio, USB2.0, control signals and PoC over a single CAT5e/6 cable**. The unidirectional PoC compliant extender comes with only one power supply, which means that the Receiver can be powered via Transmitter to save installers time and added cost to installing a power outlet. **Ideally designed for smart displays and KVM solutions fitting digital signage markets.**

Applications:

This unit can cater to any Boardroom, conference room, training room, huddle room, home theatre, Digital signage, Surveillance, monitoring,

Compatibility:

Compatible with HDMI2.0 and is backwards compatible with all previous HDMI standards, delivers high-resolution AV Signal (1080p 3D, 4Kx2K@60Hz), Support HDBT2.0, transmit 4Kx2K signal up to 100m over single CAT6 cable, EDID Pass-Thru, **HDCP2.2 compliant**, Front panel status LEDs for power, link & HDCP, USB & RS232 control, unidirectional PoC.



Milestone PRO

Features:

- HDMI 2.0, HDCP 2.2, HDBT 2.0.
- 4Kx2K@60Hz (Max.)
- EDID Pass thru
- Bandwidth 10.2 Gbps
- Distance 4K x 2K ≤ 100m

Inputs:

- 1 x HDMI (female) - Transmitter Side
- 1 x RS232 (3 Pin captive connector) - Tx
- 1 x TP (RJ45) – Receiver Side
- 3 x USB In (Type A) – Receiver Side
- 1 x RS232 (3 Pin captive connector) - Receiver Side

Output:

- 1 x TP (RJ45) – Transmitter side
- 1 x USB Out (Type B) – Transmitter side
- 1 x HDMI (female) – Receiver side
- 3 x USB Out (3.5mm jack) – Receiver side

Power:

- DC 12V, 2A

Size:

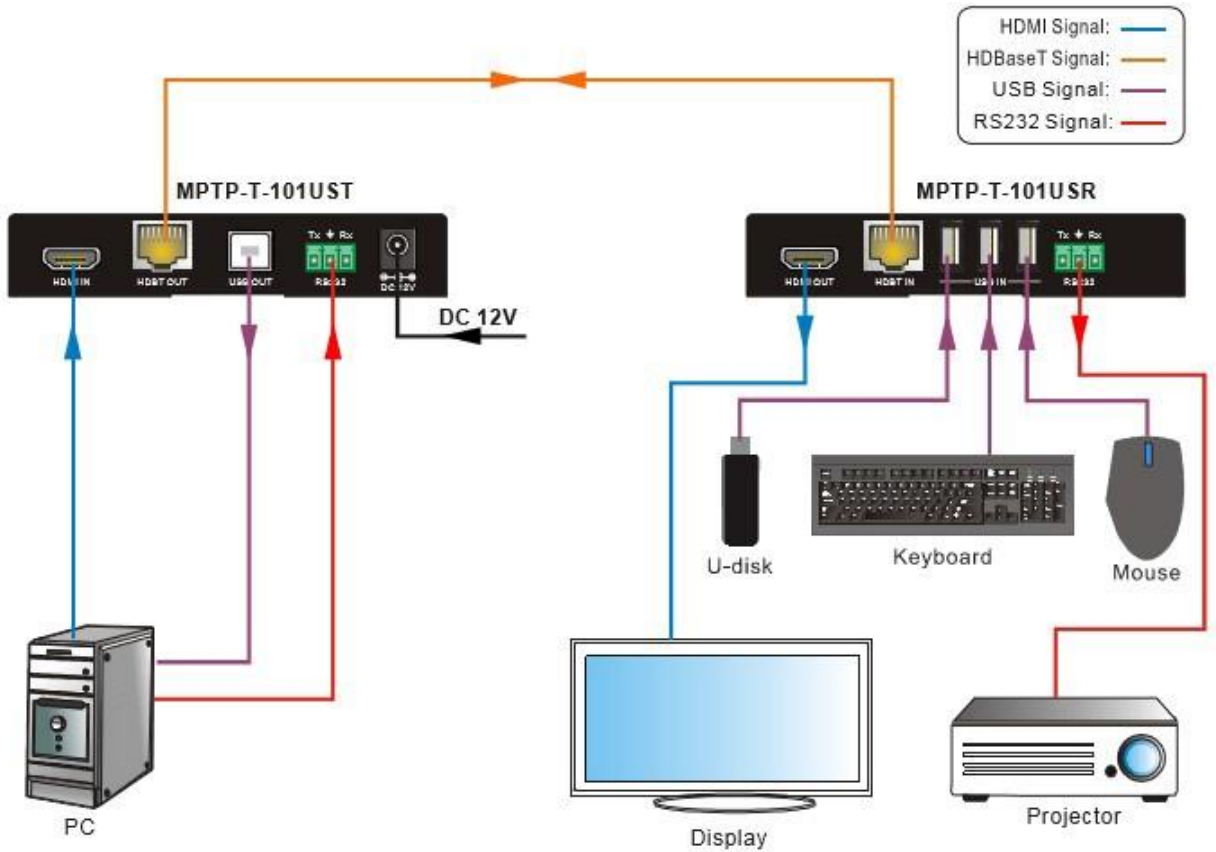
- (H/W/D) = 22mm x 116mm x 95mm

Packing:

- 1* MPTP-T-101US (including TX and RX)
- 4* Detachable Mounting ears
- 8* Screw
- 8* Black plastic cushions
- 2* RS232 cables
- 1* Power adaptor
- 1* User manual



Connectivity Diagram:



Applicable Product line

Models:

- MPTP-T60S-H2 (HDMI 2.0 extender over CATx set , 18G, 4K@60HZ 4:4:4,HDR, HDCP2.2, 60M, HDMI loop out)
- MPTP-T70S-H1 (HDMI 2.0 extender over Cat6 4K @60Hz,4:4:4,18G, 70m, Bi-direction IR, RS232 & 12V POC)
- MPTP-T70S-H2 (HDMI 2.0 over HDBaseT, 18G ,HDR, HDCP2.2, 70M, two way IR, RS232, 12V POC,slim design)
- MPTP-T70S-H2T (HDMI 2.0 Transmitter over HDBaseT 18G, HDR, HDCP2.2, 70M, two way IR, RS232, 12V POC)
- MPTP-T70-HDV (HDMI, DVI,VGA(3 to 1) HDBT Tx & HDBT Rx (1 to 3)with HDMI, DVI, VGA, 1080p)
- MPTP-T100SS-H2 (HDMI2.0 over HDBaseT,18G,HDR,HDCP2.2,100m,two way IR,RS232,2 way 24v POC,2ethernet)
- MPTP-T70-WPT (HDBT wall plate Tx, 4K, HDCP 2.2, 70m, HDMI, VGA, IR & RS232, PoC, Select Switch)
- MPTP-T70-WPR (HDBT wall plate Rx, 4K, HDCP 2.2, 70m, HDMI, IR & RS232, PoC)
- MPTP-T100RPT (HDBT Repeater, 4K, HDCP 2.2, 100m, IN--1 HDBT ,OUT--1 HDBT,2 HDMI,1 AUDIO)

